

**NOTICE TO ALL CONTRACTORS AND SUB-CONTRACTORS – June 29, 2022**  
**Long McArthur Quicklane – New Building – Proj 21-3175**

**ADDENDUM NO. 1**

**YOU ARE INSTRUCTED TO READ AND TO NOTE THE FOLLOWING DESCRIBED CHANGES, CORRECTIONS, CLARIFICATIONS, OMISSIONS, DELETIONS, ADDITIONS, APPROVALS, AND STATEMENTS PERTINENT TO THE CONTRACT AND CONSTRUCTION DOCUMENTS. THIS ADDENDUM IS A PART OF THE CONTRACT AND CONSTRUCTION DOCUMENTS AND SHALL GOVERN IN THE PERFORMANCE OF THE WORK.**

***Bid Date: July 7, 2022 – Bids to be coordinated with Stevenson Construction, Doug Stevenson, 8211 S. Forsee Rd, Falun, KS 67442, phone 785-822-7940, [stevensonconst@hometelco.net](mailto:stevensonconst@hometelco.net)***

**ARCHITECTURAL - Specifications**

1. Section 071100 Sheet Membrane Waterproofing – Include Carlisle as an approved manufacturer for bidding purposes. All products must meet specifications.
2. Section 052727 Self-Adhering Water Resistive Air Barrier Membrane – include Carlisle Coating and Waterproofing as an approved manufacturer for bidding purposes. All products must meet specifications.

Jeff Gillam

Charles Renz

Mark Regier

Maggie Gillam

Chris Gillam

**ARCHITECTURAL - Drawings**

1. Sheet A2.1 Floor Plan - At the in-ground equipment insert, located in the northeast vehicle bay, the outside face of the vertical walls shall receive sheet membrane waterproofing extending from the top of the wall, covering the joint at the pit floor.

**ELECTRICAL - Specifications**

1. Substitutions – Subject to compliance with requirements, the following manufacturers may provide Light Fixtures as indicated  
Type 'A1', 'A2', 'A3', 'B1', 'B2', 'B3', 'F', 'H', 'HE', 'K' – LSI Industries, Lithonia  
Type 'C' – Green Creative, Juno  
Type 'D', 'DE' – Visioneering, Lithonia  
Type 'E1', 'XE1' – Emergi-Lite, Lithonia  
Type 'E2', 'XE2' – Emergi-Lite, Beghelli  
Type 'G' – Evergreen Lighting, Oxygen  
Type 'J' - Green Creative, Lithonia

**ELECTRICAL - Drawings**

1. Sheet E6.1 – Light Fixture Schedule:
  - a. Modify light fixture schedule to suspend type 'F' light fixture to 12'-0" AFF. See revised sheet E6.1.
  - b. Modify model number of type 'XE2' in Light Fixture Schedule to 'DYNCSRW6'. See revised sheet E6.1.

**Receipt of this Addendum shall be noted on the Bid Form.**

END OF ADDENDUM NO. 1



730 N. Ninth (67401)  
P.O. Box 2928  
Salina, KS 67402-2928  
(785) 827-0386

1881 Main St., Suite 301  
Kansas City, MO 64108

Attachments  
Sheet E6.1

**FIRE SPRINKLER MONITORING NOTES**

- A. FIRE SPRINKLER MONITORING CONTROL PANEL SHALL BE ANALOG ADDRESSABLE TYPE OF POWER LIMITED DESIGN OPERATING AT 24 V-dc. PANEL SHALL HAVE BUILT-IN PROGRAMMER, SIGNALING LINE CIRCUIT CAPABLE OF HANDLING UP TO 50 ADDRESSABLE DEVICES IN ANY COMBINATION, TWO PROGRAMMABLE NOTIFICATION APPLIANCE CIRCUITS (CLASS A OR CLASS B), INTEGRAL 80-CHARACTER LCD DISPLAY WITH BACKLIGHTING, REAL-TIME CLOCK/CALENDAR WITH AUTOMATIC DAYLIGHT SAVINGS CONTROL, ON-BOARD DACT (DIGITAL ALARM COMMUNICATOR TRANSMITTER) FOR REMOTE DIAL CAPABILITY, TWO PROGRAMMABLE RELAYS AND ONE FIXED TROUBLE RELAY, SELECTABLE STROBE SYNCHRONIZATION, AND AUTOMATIC DETECTOR SENSITIVITY TESTING (NFPA 72 COMPLIANT). SYSTEM SHALL BE LISTED TO U.L. STANDARD 864, 9TH EDITION. NOTIFIER "FIREWARDEN" #NFW-50R.
- B. PRIMARY POWER SUPPLY FOR CONTROL PANEL SHALL BE BY 120 V DEDICATED CIRCUIT. SECONDARY POWER SUPPLY SHALL BE BY BATTERY BACKUP. BATTERIES SHALL BE INTEGRAL TO THE CONTROL PANEL AND SHALL HAVE ADEQUATE CAPACITY TO OPERATE THE SYSTEM UNDER QUIESCENT LOAD FOR A MINIMUM OF 24 HOURS AND, AT THE END OF THAT PERIOD, SHALL BE CAPABLE OF OPERATING ALL ALARM NOTIFICATION APPLIANCES FOR FIVE MINUTES.
- C. SYSTEM SHALL BE PROVIDED COMPLETE WITH ALL ADDRESSABLE MONITORING MODULES AND RELAYS AS REQUIRED TO MONITOR FIRE SPRINKLER SYSTEM.
- D. IN ADDITION TO VALVES INSTALLED ON FIRE SPRINKLER SYSTEM RISER, ALL VALVES INSTALLED OUTSIDE THE BUILDING (POST INDICATOR VALVE, TAPPING SLEEVE VALVE, ETC.) SHALL BE SUPERVISED BY THE FIRE SPRINKLER MONITORING SYSTEM. PROVIDE ADDRESSABLE MONITORING MODULE AND SURGE PROTECTION DEVICE (DITEK #DTK-2MHLF48B) FOR EACH MONITORED VALVE. COORDINATE WITH GC AND SITE WORK CONTRACTOR FOR ALL VALVES INSTALLED. MONITORING IS NOT REQUIRED FOR VALVES INSTALLED IN ROADWAY BOXES BY THE MUNICIPALITY/PUBLIC UTILITY.
- E. MANUAL STATIONS SHALL BE UL 38 LISTED; NON-CODED, ADDRESSABLE, FINISHED IN RED WITH MOLDED, RAISED-LETTER OPERATING INSTRUCTIONS IN CONTRASTING COLOR. STATION SHALL SHOW VISIBLE INDICATION OF OPERATION. UNITS SHALL BE DUAL-ACTION MECHANISM, PUSH IN / PULL DOWN OPERATION, WITH KEY OPERATED RESET LOCK FEATURE.
- F. SMOKE DETECTORS SHALL BE PHOTOELECTRIC TYPE, 24V, 2-WIRE, ADDRESSABLE, WITH REMOTE LED OUTPUT AND BUILT-IN TEST SWITCH. DETECTORS SHALL BE PROVIDED WITH A TWIST-LOCK BASE.
- G. NOTIFICATION HORNS SHALL BE ELECTRIC-VIBRATING-POLARIZED TYPE, 24-V DC, TEMPORAL PATTERN. HORNS SHALL PRODUCE A SOUND-PRESSURE LEVEL OF 90 DBA, MEASURED 10 FEET FROM THE HORN. VISIBLE ALARM DEVICES SHALL BE XENON STROBE LIGHTS LISTED UNDER UL 1971, WITH CLEAR OR NOMINAL WHITE POLYCARBONATE LENS MOUNTED ON AN ALUMINUM FACEPLATE. THE WORD "FIRE" SHALL BE ENGRAVED IN MINIMUM 1-INCH-HIGH LETTERS ON THE LENS. DEVICES SHALL HAVE FIELD SELECTABLE LIGHT OUTPUT OF 15, 30, 75, 95, 110, & 115 CANDELA.
- H. ALL POWER LIMITED CABLING SHALL CONSIST OF INDIVIDUAL INSULATED SOLID COPPER CONDUCTORS IN AN OVERALL FLEXIBLE RED PVC JACKET, RATED FOR 300V, AND SHALL BE INSTALLED IN CONDUIT (NEC TYPE FPLR). SIGNALING LINE CIRCUITS (SLC'S) SHALL BE NFPA 72 CLASS B, STYLE 4, AND SHALL UTILIZE TWISTED-PAIR WIRE TO MINIMIZE THE EFFECTS OF ELECTRICAL INTERFERENCE. NOTIFICATION APPLIANCE CIRCUITS (NACS) SHALL BE NFPA 72 CLASS B, AND OF WIRE SIZE AS RECOMMENDED BY MANUFACTURER.
- I. ALARM SIGNAL SHALL BE ACTIVATED BY A MANUAL STATION, SMOKE DETECTOR OR SPRINKLER SYSTEM FLOW SWITCH.
- J. SUPERVISORY SIGNAL SHALL BE ACTIVATED BY SPRINKLER SYSTEM TAMPER SWITCH.
- K. TROUBLE SIGNAL SHALL BE ACTIVATED BY OPEN CIRCUITS, LOW BATTERY, LOSS OF POWER, AND BATTERY CHARGING FAILURE.
- L. CONTRACTOR SHALL INCLUDE ONE YEAR OF REMOTE MONITORING SERVICE OF FIRE SPRINKLER MONITORING SYSTEM.

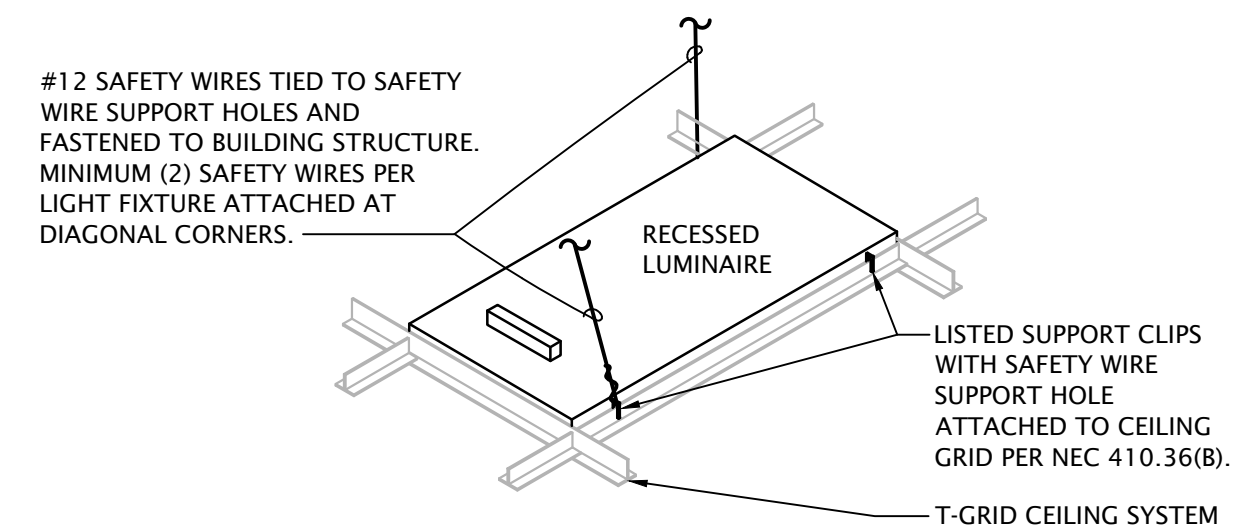
**GENERAL ELECTRICAL NOTES**

- A. ELECTRICAL EQUIPMENT AND DEVICES SHALL BE "LISTED" AND "IDENTIFIED" AS RATED FOR A MINIMUM OF 75°C CONDUCTOR TERMINATION.
- B. COORDINATE INSTALLATION OF ELECTRICAL WORK ABOVE THE CEILING TO PROVIDE THE GREATEST POSSIBLE CLEARANCE FOR INSTALLATION OF PLUMBING AND MECHANICAL INSTALLATION. CONDUITS SHALL BE ROUTED THROUGH JOIST WEBS WHERE POSSIBLE.
- C. VERIFY EXACT PLACEMENT OF ALL LUMINAIRES, DEVICES, AND EQUIPMENT SHOWN ON THE ELECTRICAL CONSTRUCTION DOCUMENTS WITH ARCHITECTURAL, MECHANICAL AND PLUMBING DRAWINGS PRIOR TO FINAL PLACEMENT.
- D. DEFINITION OF TERMS
  - \* SHALL - ACTION THAT IS REQUIRED WITHOUT OPTION OR QUALIFICATION.
  - \* FURNISH - CONTRACTOR SHALL BE RESPONSIBLE FOR OBTAINING.
  - \* INSTALL - CONTRACTOR SHALL BE RESPONSIBLE FOR LABOR AND CONSTRUCTION EQUIPMENT NECESSARY TO SET IN PLACE, CONNECT, CALIBRATE AND TEST EQUIPMENT FURNISHED BY HIM OR OTHERS.
  - \* PROVIDE - CONTRACTOR SHALL FURNISH AND INSTALL

**LIGHT FIXTURE SCHEDULE**

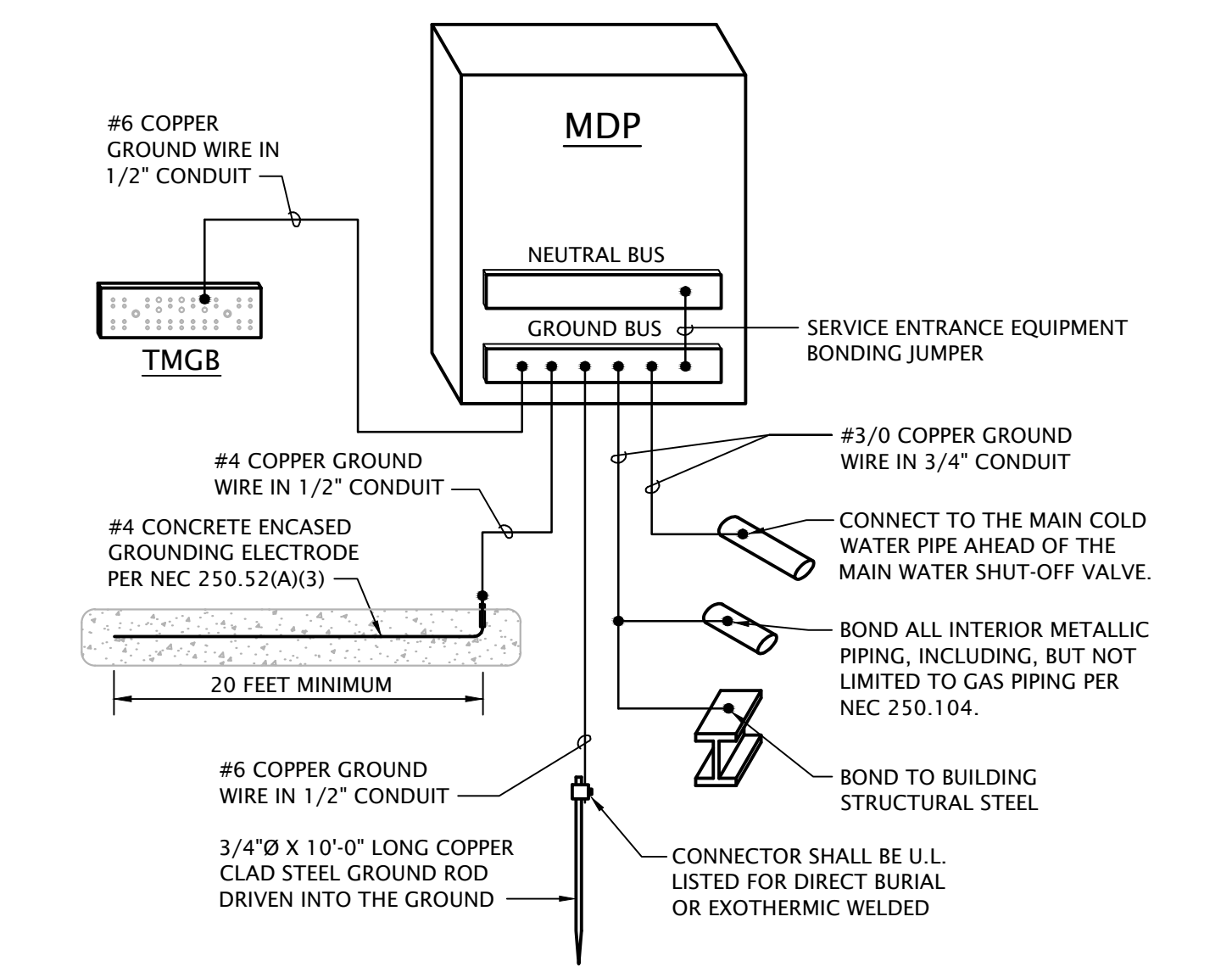
MARK	MANUFACTURER	MODEL NUMBER	LAMP DATA	DRIVER	MOUNTING	FINISH	DESCRIPTION	NOTES
A1	COLUMBIA	CFP22-40/22/2840	26W LED 3380 LUMEN	0-10V DIMMING	LAY-IN	WHITE	2x2 EDGE-LIT FLAT PANEL WITH SELECTABLE LUMEN OUTPUT; ALUMINUM FRAME; IC RATED	3
A2	COLUMBIA	CFP22-40/22/2840	30W LED 3900 LUMEN	0-10V DIMMING	LAY-IN	WHITE	2x2 EDGE-LIT FLAT PANEL WITH SELECTABLE LUMEN OUTPUT; ALUMINUM FRAME; IC RATED	3
A3	COLUMBIA	CFP22-40/22/2840	40W LED 5000 LUMEN	0-10V DIMMING	LAY-IN	WHITE	2x2 EDGE-LIT FLAT PANEL WITH SELECTABLE LUMEN OUTPUT; ALUMINUM FRAME; IC RATED	3
B1	COLUMBIA	CFP24-55/41/3440	31W LED 3950 LUMEN	0-10V DIMMING	LAY-IN	WHITE	2x4 EDGE-LIT FLAT PANEL WITH SELECTABLE LUMEN OUTPUT; ALUMINUM FRAME; IC RATED	3
B2	COLUMBIA	CFP24-55/41/3440	40W LED 5030 LUMEN	0-10V DIMMING	LAY-IN	WHITE	2x4 EDGE-LIT FLAT PANEL WITH SELECTABLE LUMEN OUTPUT; ALUMINUM FRAME; IC RATED	3
B3	COLUMBIA	CFP24-55/41/3440	50W LED 6140 LUMEN	0-10V DIMMING	LAY-IN	WHITE	2x4 EDGE-LIT FLAT PANEL WITH SELECTABLE LUMEN OUTPUT; ALUMINUM FRAME; IC RATED	3
C	PRESCOLITE	LBSD-4RD-CS9-WH	8W LED 700 LUMEN	TRIAC/ELV DIMMING	SURFACE (CEILING)	WHITE	4"Ø ROUND SURFACE MOUNT DOWNLIGHT	3
D	COLUMBIA	RLB4-40LV-FAM-EDU	84W LED 9400 LUMEN	0-10V DIMMING	SUSPENDED AT 18'-0" AFF	WHITE	4' LINEAR LOW BAY WITH CURVED FROSTED ACRYLIC LENS	
DE	COLUMBIA	RLB4-40LV-FAM-EDU-ELL14	84W LED 9400 LUMEN	0-10V DIMMING	SUSPENDED AT 18'-0" AFF	WHITE	SAME AS TYPE 'D', EXCEPT WITH INTEGRAL BATTERY BACKUP TO OPERATE LUMINAIRE AT 1400 LUMENS FOR 90 MINUTES, MIN.	
E1	DUAL-LITE	EV2DI	(2) 1W LED	N/A	WALL AT 8'-0" AFF	WHITE	TWIN HEAD EMERGENCY LIGHT WITH INTEGRAL BATTERY BACKUP	2
E2	DUAL-LITE	DYN6I	(2) 3W LED 660 LUMEN	N/A	WALL AT 8'-0" AFF	GRAY	TWIN HEAD HIGH OUTPUT EMERGENCY LIGHT WITH INTEGRAL BATTERY BACKUP	2
F	COLUMBIA	MPS4-40LW-CW-EDU-PAF	27W LED 3900 LUMEN	0-10V DIMMING	SUSPEND AT 12'-0" AFF	WHITE	4' MULTI-PURPOSE LINEAR WITH CURVED ACRYLIC LENS	
G	COLUMBIA	CWM2-40MWSR-FRFA-EDU	20W LED 2000 LUMEN	0-10V DIMMING	SEMI-RECESSED IN WALL AT 7'-6" AFF	WHITE	2' DECORATIVE WALL MOUNT WITH FROSTED ACRYLIC LENS AND FLAT ALUMINUM END CAPS	
H	HUBBELL OUTDOOR LIGHTING	RWL1-48L-35-4K7-3-120-BLT	37W LED 4700 LUMEN	0-10V DIMMING	WALL AT 12'-0" AFF TO TOP OF FIXTURE	MATTE BLACK	CAST ALUMINUM WALL PACK, IES TYPE III DISTRIBUTION, IP66 RATED	5
HE	HUBBELL OUTDOOR LIGHTING	RWL1-48L-35-4K7-3-120-BLT-EH	37W LED 4700 LUMEN	0-10V DIMMING	WALL AT 12'-0" AFF TO TOP OF FIXTURE	MATTE BLACK	SAME AS TYPE 'H', EXCEPT WITH INTEGRAL EMERGENCY BATTERY PACK, 120 V OPERATION.	5,6
J	PRESCOLITE	LBSES-6RD-CS9-WH	13W LED 1100 LUMEN	0-10V DIMMING	CEILING	WHITE	6"Ø, EDGE-LITE DOWNLIGHT	5
K	GARDCO	ECF-L-80L-1.2A-NW-G2-AR-BLC-208-BK	289W LED 26500 LUMEN	0-10V DIMMING	30" RSS POLE	BLACK	CAST ALUMINUM AREA LIGHT, BACKLIGHT CONTROLLED DISTRIBUTION, 208V OPERATION	5,7
XE1	DUAL-LITE	EVCURWDI	RED LED (2) 1W LED	N/A	CEILING/WALL	RED LETTERS WHITE HOUSING	COMBO EXIT/EMERGENCY LIGHTING UNIT	1,2
XE2	DUAL-LITE	DYNCSRWG	RED LED (2) 3W LED	N/A	CEILING/WALL/END	RED LETTERS WHITE HOUSING	DIE CAST COMBINATION EXIT SIGN/TWIN HEAD EMERGENCY LIGHT WITH INTEGRAL BATTERY BACKUP, NEMA-4X RATED	1,2

- GENERAL:**
- All LED's shall be 4000 K correlated color temperature, minimum 80 CRI.
  - All light fixtures shall be provided with universal drivers capable of operating at 120V or 277V UNO.
  - Fixtures shown half-shaded or noted with 'EM' shall be provided with an emergency battery to operate fixtures for a minimum of 90 minutes upon loss of normal power
- NOTES:**
1. Fixture shall be capable of wall or ceiling mount applications and shall have break-out directional chevrons.
  2. Provide with emergency battery integral charger and self-diagnostic/self-testing electronics.
  3. Install luminaire per detail, this sheet.
  4. Install remote head on exterior wall above door and connect to unit per manufacturer's instructions.
  5. Fixture shall be U.L. listed for 'wet' locations.
  6. Provide fixture with integral battery backup with heater capable of operation down to -40° F. Fixture shall deliver 1200 lumens in emergency mode for 90 minutes, minimum.
  7. Provide 30' high, 4"Ø round straight steel pole, black to match fixture. Assembly shall be rated for 100 mph wind loads. Provide with vibration isolation dampers.

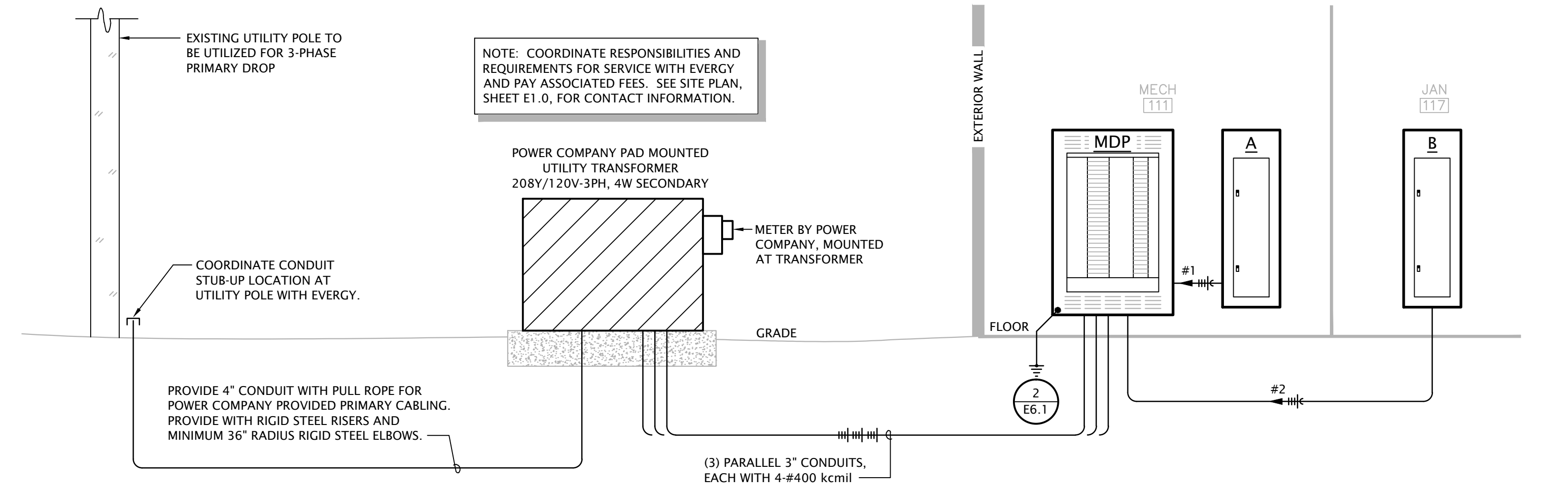


- NOTES:**
1. SAFETY WIRES MAY BE SLACK BUT SHALL BE SECURED WITH A MINIMUM OF THREE TIGHT TURNS AROUND SELF.
  2. FIXTURE INSTALLATION TO COMPLY WITH ASTM C636 AND CISCA STANDARDS.

**3 RECESSED LUMINAIRE SUPPORT**  
NO SCALE



**2 SERVICE GROUNDING ELECTRODE SYSTEM DIAGRAM**  
No Scale



**1 ELECTRICAL RISER DIAGRAM**  
NO SCALE

**Architects Planners Designers**  
 730 N. Mehlh. 1772, Main Street, Kansas City, MO 64108  
 P.O. BOX 2828 Salina, KS 67402  
 jgr@jgrarchitects.com 785.827.0386  
**QUICK LANE SERVICE CENTER**  
 KANSAS  
 LONG McARTHUR ADDITION  
 SALINA,  
 E6.1  
 REVISION: 14654 06/06/2022  
 ADDENDUM #1 6-28-2022  
 DATE: 06-06-2022  
 JOB: 21-3175  
 SHEET:  
 COPYRIGHTED ©